

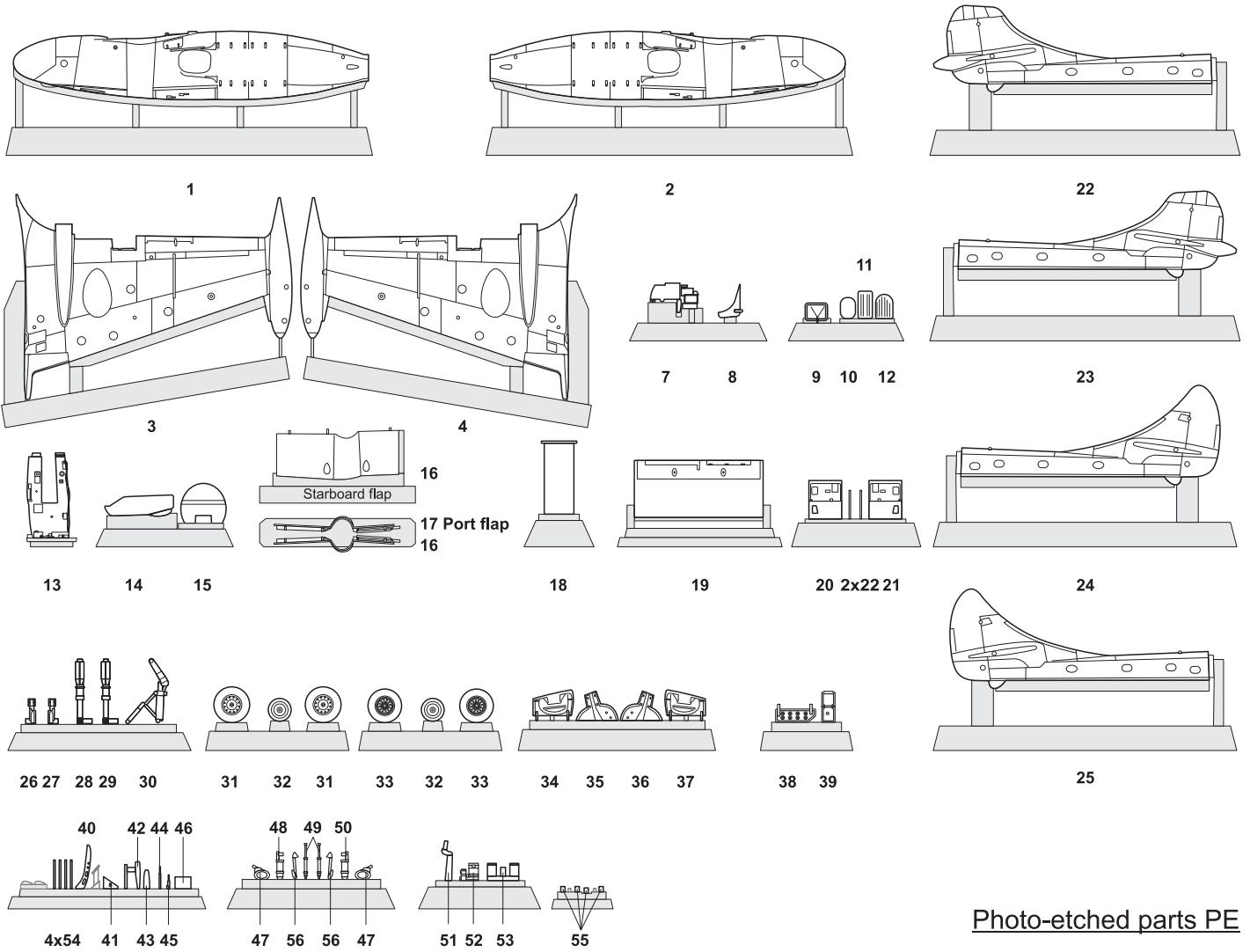
CMR72-228  
1/72 scale

# De Havilland Venom NF.2/2A

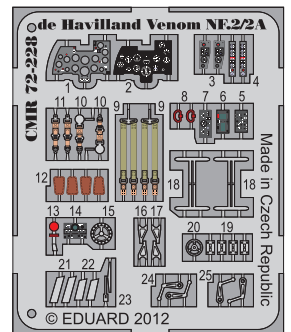


MARK I Ltd.  
PO Box 10  
CZ-100 31 Prague 10 - Strašnice  
Czech Republic

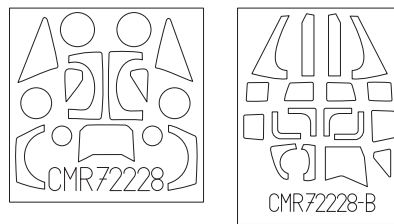
## Numbering of resin parts



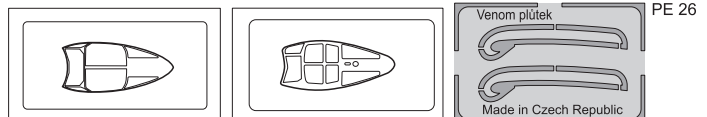
## Photo-etched parts PE



## Canopy masks



## Clear parts

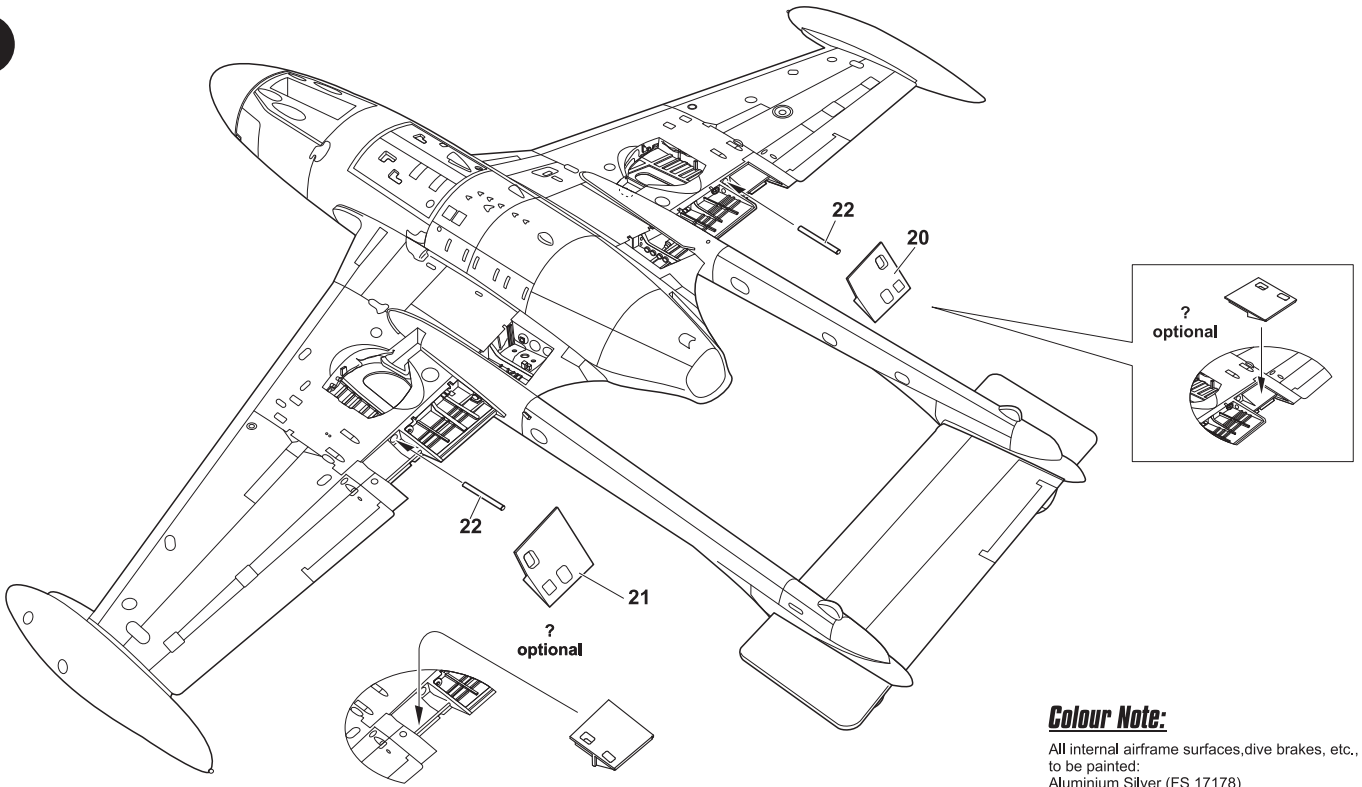


**Acknowledgements:** Czech Master Resin would like to take this opportunity to thank the following contributors for their help and invaluable research, which has enabled us to accurately reproduce this scale model: Messrs Andy Robinson, Robbie Robinson, Tony O'Toole, Andy White

**References:** De Havilland Venom by Roger Lindsay, J 33 Venom by Mikael Forslund, De Havilland Twin-boom Fighters, De Havilland Venom by W.A. Harrison

**Note:** The unnumbered resin parts in light grey colour = NOT REQUIRED PARTS

9



**Colour Note:**

All internal airframe surfaces, dive brakes, etc., to be painted: Aluminium Silver (FS 17178)

10

Schemes: **A**

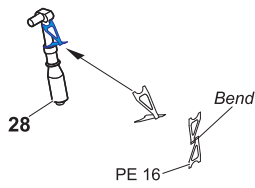


33

Schemes: **B C D**



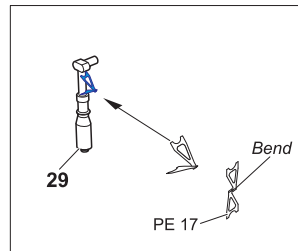
31



28

PE 16

Bend



29

PE 17

Bend

Schemes: **A**

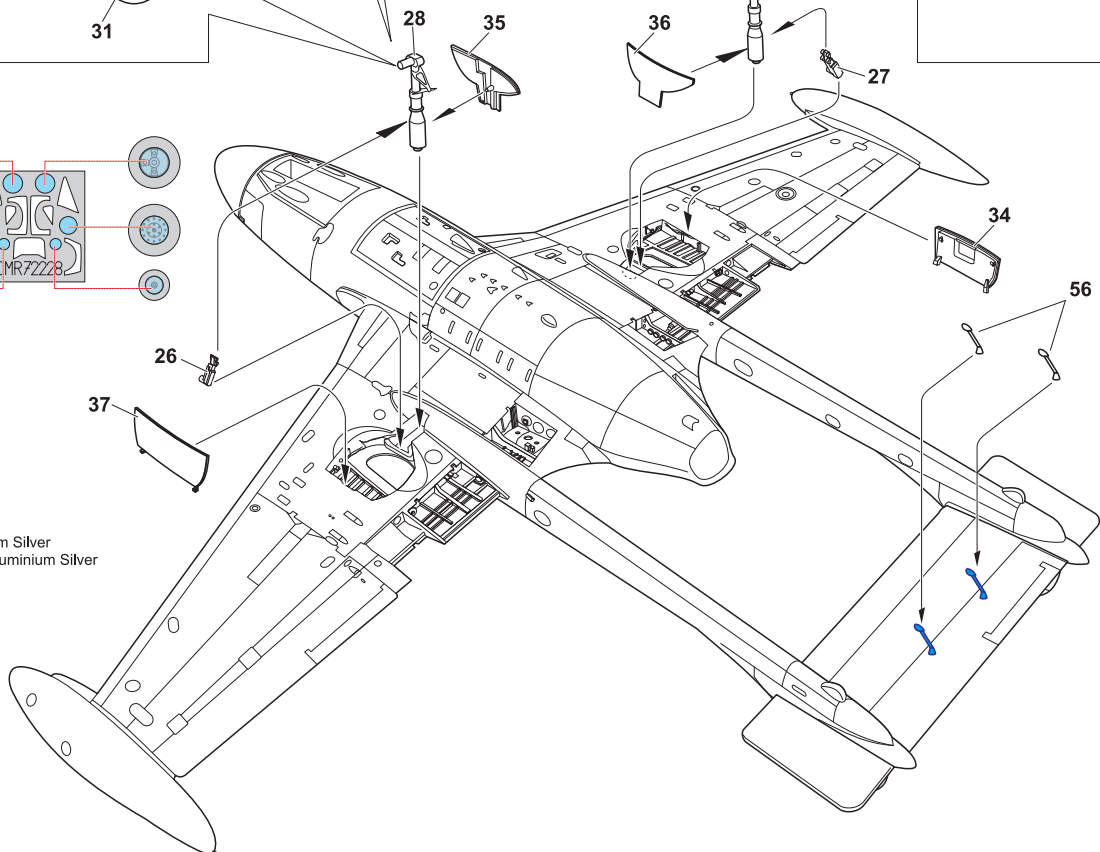
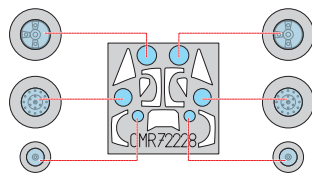


33

Schemes: **B C D**



31



**Colour Note:**

Wheel well-Aluminium Silver  
Undercarriage leg-Aluminium Silver  
Oleo struts-Chrome

**Colour Note:**

Main wheel (31, 33)  
Tyre-Matt Black  
Hub-Aluminium alloy